

BOTTOM ENTRY HYDRANT BOOSTER

WITH MFB/CFA/NSW/QRT/SA/BI INLET AND ROLL GROOVED OUTLETS



COMMERCIAL PLUMBING & FIRE SUPPLIES

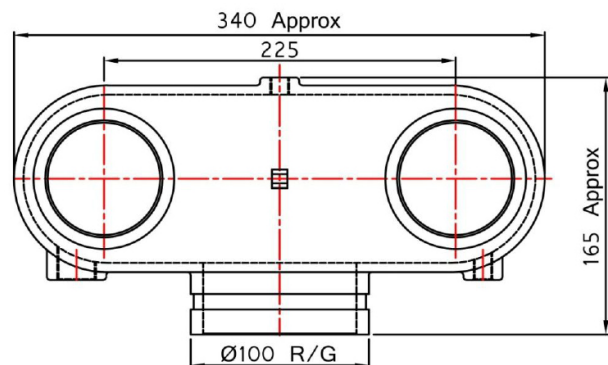
Application

Bottom entry hydrant booster provides fire brigades with access to sufficient water as quickly and efficiently as possible. The hydrant booster complies with AS 2419.3, with inlet connections compatible with local fire brigades' requirements, MFB/CFA/NSW/QRT/SA/BI. The booster assembly comprises caps and 4" roll grooved outlets to facilitate ease of connectivity. Rear entry hydrant boosters are also available.

Special Features

- Body Material: SS 304 stainless steel
- Australia Standards: AS 2419.3 - 2012
- Type: Bottom Entry
- Outlet Connection: 100mm roll grooved
- Inlet Connection: MFB/CFA/NSW/QRT/SA/BI
- High quality materials with long life service

Diagram



Commercial Plumbing & Fire Supplies
41 Babbage Drive
DANDENONG SOUTH VIC 3175
T +61 3 9791 7500
F +61 3 9791 7500
M +61 429 183 694
sales@cpfs.net.au
ABN 26 106 908 169

