

VANE WHEEL MULTI-JET SUPER DRY DIAL METER

Model DS97TAR(R)/LA-E/A



LIANLI WATER METER



CPFS

COMMERCIAL PLUMBING & FIRE SUPPLIES



Application

Measures total volume of water passing through the meter

Special Features

- Magnetic drive with magnetic shield protection
- Vacuum sealed water resistant register to prevent condensation
- High accuracy
- High quality material with life long service
- Can be equipped with pulse output device. The pulse rate would be one pulse per 10 litres or 100 litres.
- High quality materials with long life service

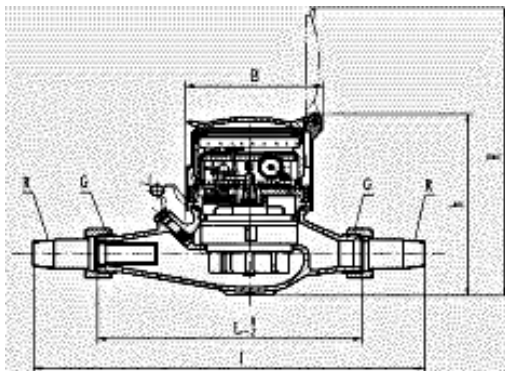
Operating Conditions

- Maximum water pressure $\leq 1.6\text{mpa}$ (16bar)
- Water temperature for cold water $\leq 50\%$ and hot water $\leq 90\%$

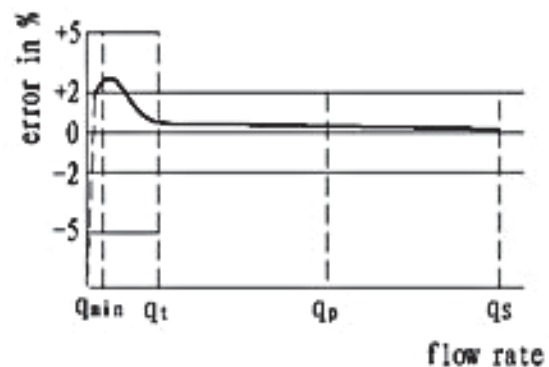
Maximum Permissible Error

- From q_t inclusive up to and including q_s is $\pm 2\%$
- From q_{min} inclusive up to but excluding q_t exclusive is $\pm 5\%$

Technical data conforms to ISO 4064 Class B standards

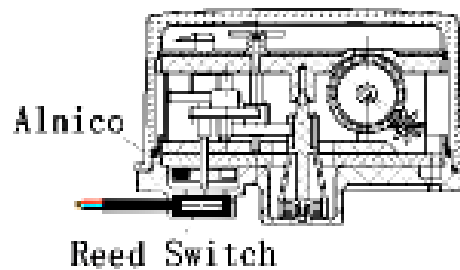
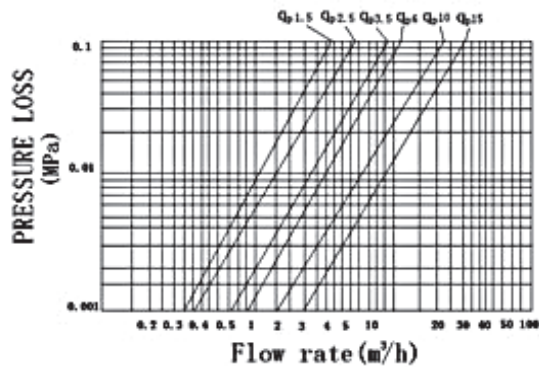


Flow Error Curve



Technical Data

Pressure Loss Error Curve



Main Technical Specifications

| Description | Unit | Hydraulic Data and Dimensions | | | | | |
|----------------------------------|------|-------------------------------|-------|---------|---------|--------|---------|
| Nominal Size | mm | 15 | 20 | 25 | 32 | 40 | 50 |
| Nominal Size | inch | 1/2 | 3/4 | 1 | 1 1/4 | 1 1/2 | 2 |
| Overload Flow Rate (q_s) | m³/h | 3 | 5 | 7 | 12 | 20 | 30 |
| Permanent Flow Rate (q_p) | m³/h | 1.5 | 2.5 | 3.5 | 6 | 10 | 15 |
| Transitional Flow Rate (q_t) | l/h | 120 | 200 | 280 | 480 | 800 | 3000 |
| Minimum Flow Rate (q_{min}) | l/h | 30 | 50 | 70 | 120 | 200 | 450 |
| Minimum Reading | l | 0.05 | 0.05 | 0.05 | 0.05 | 0.05 | 0.05 |
| Maximum Reading | m³ | 99999 | 99999 | 99999 | 99999 | 999999 | 999999 |
| Nominal Pressure | MPa | 1.6 | 1.6 | 1.6 | 1.6 | 1.6 | 1.6 |
| ΔP max at q_s | MPa | 0.05 | 0.06 | 0.06 | 0.09 | 0.09 | 0.09 |
| L | mm | 165 | 190 | 260 | 260 | 300 | 300 |
| G | inch | G3/4B | G1B | G1 1/4B | G1 1/2B | G2B | G2 1/2B |
| R | inch | R1/2 | R3/4 | R1 | R1 1/4 | R1 1/2 | R2 |
| l | mm | 245 | 290 | 380 | 380 | 440 | 440 |
| B - Normal | mm | 81 | 81 | 94 | 94 | 128 | 128 |
| B - Remote Transmission | mm | 79 | 79 | 94 | 94 | 128 | 128 |
| h - Normal | mm | 105 | 106 | 123 | 128 | 170 | 170 |
| h - Remote Transmission | mm | 118 | 118 | 121 | 127 | 170 | 170 |
| H - Normal | mm | 153 | 154 | 171 | 176 | 225 | 225 |
| H - Remote Transmission | mm | 192 | 192 | 171 | 177 | 225 | 225 |
| Weight without connections | kg | 0.986 | 1.15 | 1.7 | 2.54 | 4.42 | 4.88 |
| Weight with connections | kg | 1.259 | 1.512 | 2.318 | 3.17 | 5.38 | 6.55 |

Commercial Plumbing & Fire Supplies

41 Babbage Drive DANDENONG SOUTH VIC 3175

T +61 3 9791 7500

F +61 3 9791 7500

M +61 429 183 694

sales@cpfs.net.au

ABN 26 106 908 169

The CPFS range provides an innovative and cost effective solution for any commercial plumbing project. CPFS is also the exclusive distributor of the LianLi water meters in Australia. Water meters of the Lianli brand perform strictly as per ISO 4064 Class B, EEC Standard 75/33/EEC and British National Standard GB/T778. All water meters are UL listed and FM approved and some products have WaterMark Certificate of Conformity.