

# EIGHT DIGIT MULTI-JET COLD WATER METER

Model DS97TAR15-50E



LIANLI WATER METER



CPFS

COMMERCIAL PLUMBING & FIRE SUPPLIES



## Application

Measures total volume of cold potable water passing through the meter. Suitable for domestic use.

## Special Features

- Simplicity in design
- Hermetically sealed register
- High accuracy
- Negligible head loss at working flow rate
- Magnetic drive resistant to magnetic interferences
- High quality materials with long life service

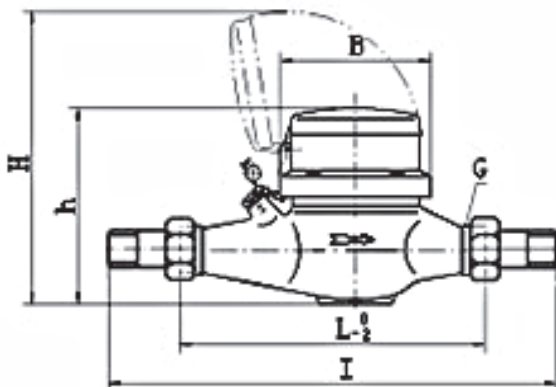
## Operating Conditions

- Maximum admissible water pressure 1.6mpa (16bar)
- Cold water temperature up to 50°C and hot water up to 90°C

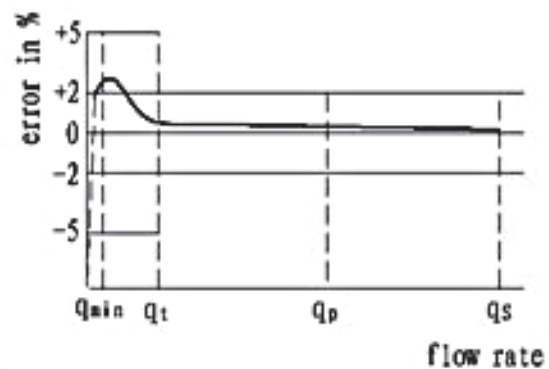
## Maximum Permissible Error

- From  $q_t$  inclusive up to and including  $q_s$  is  $\pm 2\%$
- From  $q_{min}$  inclusive up to but excluding  $q_t$  exclusive is  $\pm 5\%$

Technical data conforms to ISO 4064 Class B standards

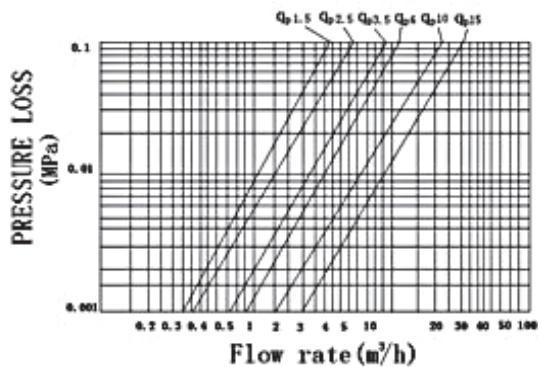


## Flow Error Curve



## Technical Data

### Pressure Loss Error Curve



### Main Technical Specifications

Description	Unit	Hydraulic Data and Dimensions					
Nominal Size	mm	DN15(1/2")	DN20(3/4")	DN25(1")	DN32(1.4")	DN40(1.2")	DN50(2")
Overload Flow Rate ( $q_o$ )	m <sup>3</sup> /h	3	5	7	12	20	30
Permanent Flow Rate ( $q_p$ )	m <sup>3</sup> /h	1.5	2.5	3.5	6	10	15
Transitional Flow Rate ( $q_t$ )	l/h	120	200	280	480	800	3000
Minimum Flow Rate ( $q_{min}$ )	l/h	30	50	70	120	200	450
Minimum Reading	l	0.05	0.05	0.05	0.05	0.5	0.5
Maximum Reading	m <sup>3</sup>	99999.99	99999.99	99999.99	99999.99	999999.999	999999.999
Nominal Pressure	MPa	1.6	1.6	1.6	1.6	1.6	1.6
$\Delta P_{max}$ at $q_o$	MPa	$\leq 0.1$	$\leq 0.1$	$\leq 0.1$	$\leq 0.1$	$\leq 0.1$	$\leq 0.1$
L	mm	165	190	260	260	300	300
I	mm	245	290	380	380	428	428
B	mm	81	81	94	94	128	128
G	mm	G <sup>3</sup> / <sub>4</sub> B	G1B	G1 <sup>1</sup> / <sub>4</sub> B	G1 <sup>1</sup> / <sub>2</sub> B	G2B	G2 <sup>1</sup> / <sub>2</sub> B
h	mm	105	106	123	128	170	170
H	mm	153	154	171	176	225	225
Weight without connections	kg	0.986	1.15	1.7	2.54	4.42	4.88
Weight with connections	kg	1.259	1.512	2.318	3.17	5.37	6.17

### Commercial Plumbing & Fire Supplies

41 Babbage Drive  
 DANDENONG SOUTH VIC 3175  
 T +61 3 9791 7500  
 F +61 3 9791 7500  
 M +61 429 183 694  
 sales@cpfs.net.au  
 ABN 26 106 908 169

### About Commercial Plumbing & Fire Supplies

The CPFS range provides an innovative and cost effective solution for any commercial plumbing project. CPFS is also the exclusive distributor of the LianLi water meters in Australia. Water meters of the Lianli brand perform strictly as per ISO 4064 Class B, EEC Standard 75/33/EEC and British National Standard GB/T778. All water meters are UL listed and FM approved and some products have WaterMark Certificate of Conformity.