

Grooved Butterfly Valve with Tamper Switch (XD381X), UL Listed

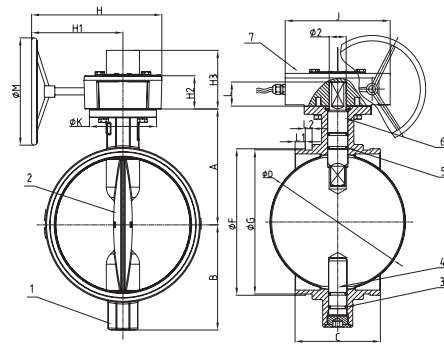


OC2700.7CL

XD381X



- Design Standard: MSS SP-67
- Connection Ends: Groove to AWWA C606
- Top Flange Standard: ISO 5211
Stem drive by keys, parallel or diagonal square or flat head
- Working Pressure: 300PSI
175PSI, 200PSI and 250PSI available upon request
- Temperature Range: 0°C- 80°C
- Coating: Fusion Bonded Epoxy Coating in accordance with ANSI/AWWA C550 or painting upon request

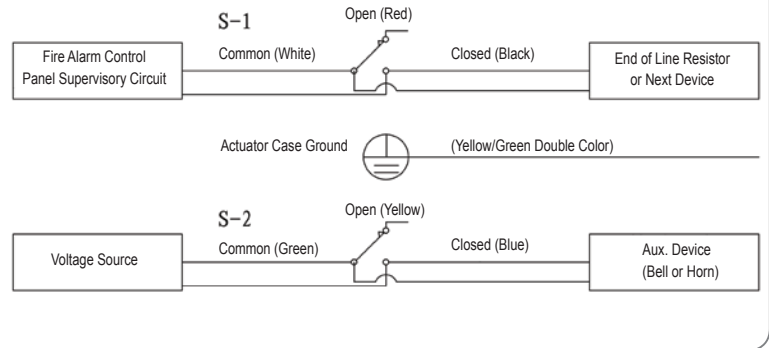


MATERIAL SPECIFICATION

Part No.	Part	Standard Specification	Options
1	Valve Body	ASTM A536, 65-45-12	
2	Disc	ASTM A536, 65-45-12+EPDM	ASTM A536, 65-45-12+NBR
3	O-Ring	NBR	EPDM
4	Stem	AISI 431	AISI 304, AISI 316, AISI 416, AISI 420
5	O-Ring	NBR	EPDM
6	Stem	AISI 431	AISI 304, AISI 316, AISI 416, AISI 420
7	Signal Gear Box	ASTM A536, 65-45-12	

Note: For special material request other than standard specification, please indicate clearly on the inquiry or order list.

SWITCH WIRING DIAGRAM



DN		Dimensions(mm)																	
Inch	mm	A	B	C	ΦD	ΦF	ΦG	L1	L2	L	ΦK	H	H1	H2	H3	J	ΦM	Φ2	ISO 5211
2"	50	89	65	81	50.3	60.3	57.15	15.88	7.93	32	90	208	151	65	108	147	150	14	F07
2.5"	65	102	71	97	60.8	73.0	69.09	15.88	7.93	32	90	208	151	65	108	147	150	14	F07
3"	80	109	81	97	76	88.9	84.94	15.88	7.93	32	90	208	151	65	108	147	150	14	F07
4"	100	128	95	116	98.5	114.3	110.08	15.88	9.53	32	90	208	151	65	108	147	150	16	F07
5"	125	141	111	148	122.6	141.3	137.03	15.88	9.53	32	90	208	151	65	108	147	150	16	F07
6"	150	153	133	148	148	168.3	163.96	15.88	9.53	32	90	208	151	65	108	147	150	20	F07
8"	200	184	164	133	199	219.1	214.4	19.05	11.10	45	125	298	223	77	121	184	200	26	F10
10"	250	216	196	159	252	273.0	268.28	19.05	12.70	45	125	298	223	77	121	184	200	26	F10
12"	300	254	226	165	300.5	323.9	318.29	19.05	12.70	45	125	299	224	77	121	184	250	28	F10

Note: Valve must not be installed with disc in full open position. Disc must be partly closed so that no part is protruding beyond end of valve body.